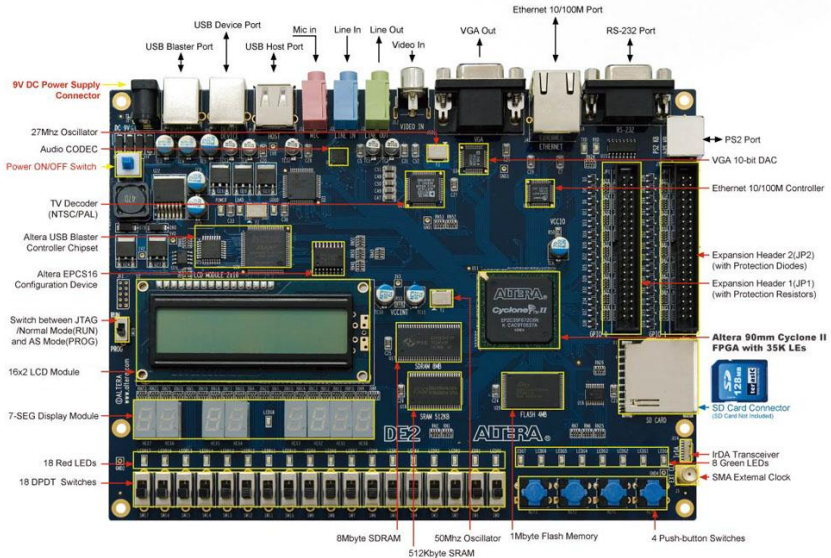


Getting started with OpenRISC on Altera Terasic de2-115

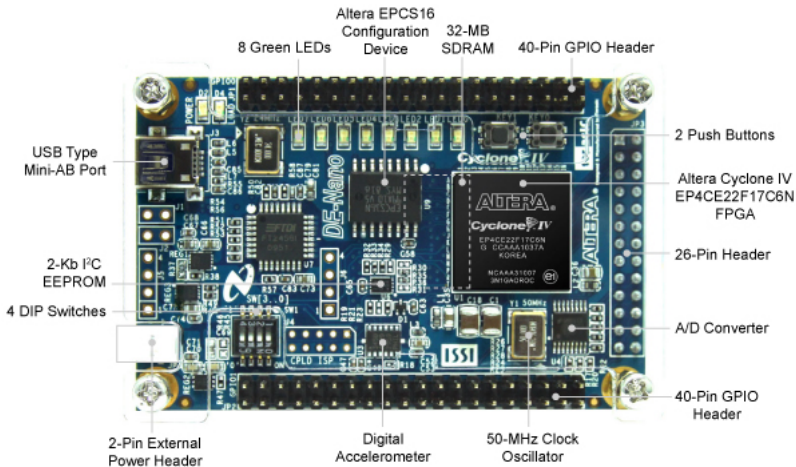
Mateusz Bajorski

January 20, 2015

Altera Terasic de2-115 board

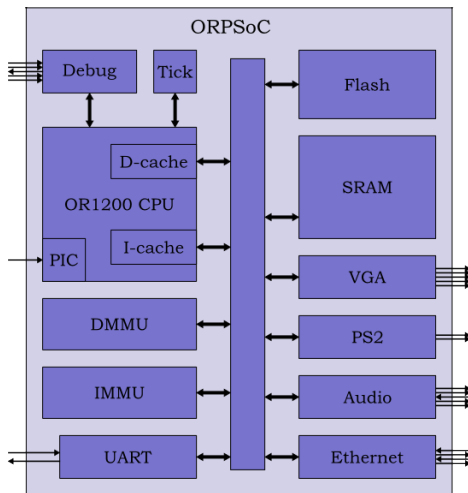


Altera TeraSic de0-nano board



SoC - System-on-a-chip

Gotowy układ scalony zawierający kompletny system komponentów elektronicznych (CPU, magistrala, sram, porty szeregowy, i2c, etc.)



Requirements

- 1 Altera Terasic de2-115 board
- 2 rs232 cable and rs232 port or rs232-usb cable
- 3 Linux PC

Install toolchain and utils

Go to
<http://bit.ly/openrisc-de2>

Hello example

Hello example Terminal Session

Sources: <https://github.com/matbaj/openrisc-examples>
<http://matbaj.github.io/2015/01/19/openrisc-on-de2-115/>

U-boot

Terminal Session

Sources: git://openrisc.net/stefan/u-boot

<http://opencores.org/or1k/U-Boot>

Linux

Terminal Session

Sources: [git://openrisc.net/jonas/linux](https://openrisc.net/jonas/linux)

<http://electria.metropolia.fi/2013/12/linux-on-de0-nano-part-i-simulator/>

Questions?

Sources:

<http://matbaj.github.io/2015/01/19/openrisc-on-de2-115/>

<http://www.embecosm.com/appnotes/ean7/html/index.html>

<http://electria.metropolia.fi/2013/12/linux-on-de0-nano-part-i-simulator/>

<http://kevinmehall.net/openrisc/guide/>

<http://opencores.org/or1k/U-Boot>